



Manufacturer & Stockist
of
Heating, Ventilation &
Air Movement Equipment

Units 2 & 3
Bull Ring Trading Estate,
Green Street, Digbeth,
Birmingham, B12 0NB.
Tel: 0121 766 8126
Fax: 0121 766 7239
www.ajs-vent.co.uk

TYPE D SINGLE BLADE VOLUME CONTROL DAMPER



Damper Model

- Type D
 - Single Blade Regulating Damper.

Duct Connection Type

- Circular Slip joint / Spigot.

Size Options

- To suit 80 -500mm Ø

Material

- Galvanised Mild Steel.

Description / Full Features:

The AJS range of single blade volume control / regulating dampers are designed for balancing airflow through circular ducting systems. The range offers a slip joint installation connection and manual hand controls with visual open/closed indication.

- Designed to admit an insulation thickness of up to 50mm.
- Adjustable range of 0° to 90°.
- External blade lock - via screw fixing.

AJS are proud to be associated with:



Every effort is made to ensure the information in AJS literature is correct, however no warranty is given in this respect and the company shall not be liable as a result of any inaccuracy. The company has a policy of continuous product development and reserves the right to alter, at any time, specification without prior notice



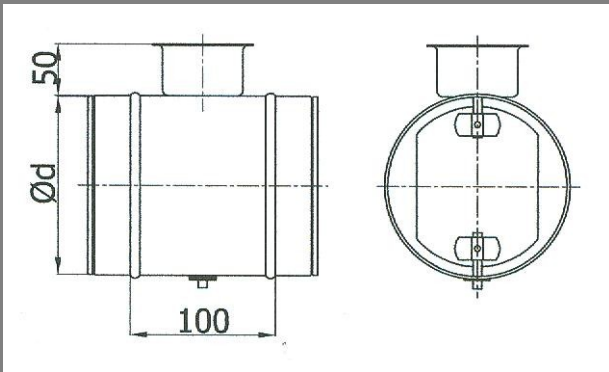
Manufacturer & Stockist
of
Heating, Ventilation &
Air Movement Equipment

Units 2 & 3
Bull Ring Trading Estate,
Green Street, Digbeth,
Birmingham, B12 0NB.
Tel: 0121 766 8126
Fax: 0121 766 7239
www.ajs-vent.co.uk

TYPE D

SINGLE BLADE VOLUME CONTROL DAMPER

Dimensions:



DIAMETER (mm)	WEIGHT (kg)
80	0.40
100	.046
125	0.55
150	0.65
180	0.75
200	0.80
224	0.90
250	1.10
280	1.30
300	1.45
315	1.5
355	2.00
400	2.40
450	3.50
500	4.00

Technical Data:

Pressure Loss and noise level chart

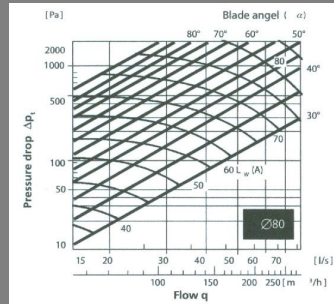
The continuous lines represent the dampers total pressure loss as a function of flow rate and blade angle. The curve shows Value A corresponding to noise level L_w (A) in dB within the duct.

Example:

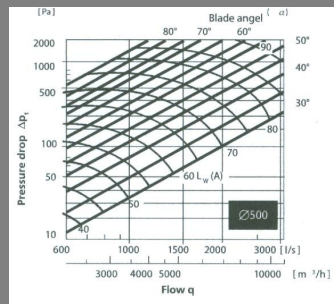
- Diameter \varnothing 100
- Flow Rate 60 l/s
- Pressure Loss 200 Pa

The following information can be read in the charts:

- Blade Angle 40°
- Noise Level 62 dB(A)



Example No. 1
Min Damper 80mm \varnothing



Example No. 2
Max Damper 500mm \varnothing

AJS are proud to be associated with:



Every effort is made to ensure the information in AJS literature is correct, however no warranty is given in this respect and the company shall not be liable as a result of any inaccuracy. The company has a policy of continuous product development and reserves the right to alter, at any time, specification without prior notice



Manufacturer & Stockist
of
Heating, Ventilation &
Air Movement Equipment

Units 2 & 3
Bull Ring Trading Estate,
Green Street, Digbeth,
Birmingham, B12 0NB.
Tel: 0121 766 8126
Fax: 0121 766 7239
www.ajs-vent.co.uk

TYPE D

SINGLE BLADE

VOLUME CONTROL

DAMPER

Technical Data

Noise data for DARL dampers
Noise level L_w (dB) in octave bands 63-8000Hz
as a function of diameter, flow rate and pressure loss.

diameter	pressure loss (Pa)	average speed 3 m/s					average speed 6 m/s					average speed 9 m/s					average speed 12 m/s					average speed 15 m/s																			
		frequency (Hz)					frequency (Hz)					frequency (Hz)					frequency (Hz)					frequency (Hz)																			
		63	125	250	500	1k	2k	4k	8k	63	125	250	500	1k	2k	4k	8k	63	125	250	500	1k	2k	4k	8k	63	125	250	500	1k	2k	4k	8k	63	125	250	500	1k	2k	4k	8k
80	500	flow rate 15 l/s					flow rate 30 l/s					flow rate 45 l/s					flow rate 60 l/s					flow rate 75 l/s																			
	300	65	65	65	59	55	49	46	67	67	67	60	57	50	47	70	70	70	63	60	53	49	75	75	75	68	64	56	53	80	80	80	72	68	60	56	50				
	200	63	63	60	54	51	43	34	29	65	65	62	56	53	44	35	30	70	70	67	60	54	47	40	75	75	71	64	57	50	43	79	79	75	68	60	53	45	-		
	100	55	60	53	48	43	30	23	15	59	65	57	51	46	32	24	16	66	72	63	57	51	36	27	18	-	-	-	-	-	-	-	-	-	-	-	-	-	-	-	-
	50	56	54	47	43	36	25	16	9	59	59	52	47	40	27	17	10	-	-	-	-	-	-	-	-	-	-	-	-	-	-	-	-	-	-	-	-	-	-	-	-
100	500	flow rate 25 l/s					flow rate 50 l/s					flow rate 75 l/s					flow rate 100 l/s					flow rate 120 l/s																			
	300	67	64	64	57	54	48	48	48	72	68	68	62	59	52	52	52	78	75	75	67	64	57	57	57	84	81	80	72	68	62	61	61	88	85	84	76	72	65	64	64
	200	62	61	60	54	51	45	42	42	68	68	68	59	56	50	47	47	75	74	73	65	61	54	51	51	81	80	79	70	67	59	56	55	86	85	84	74	70	62	59	58
	100	58	58	58	50	48	40	37	37	65	65	64	57	54	45	42	42	74	73	73	64	59	50	47	46	80	80	79	69	66	55	51	51	-	-	-	-	-	-	-	-
	50	58	55	53	46	41	34	26	24	68	66	62	54	48	40	31	29	79	75	71	62	56	46	36	33	-	-	-	-	-	-	-	-	-	-	-	-	-	-	-	-
125	500	flow rate 40 l/s					flow rate 80 l/s					flow rate 120 l/s					flow rate 160 l/s					flow rate 180 l/s																			
	300	71	68	65	59	56	50	50	47	76	73	70	63	60	53	50	50	83	79	76	68	65	58	58	54	89	85	81	73	69	62	58	91	87	83	75	71	63	63	59	
	200	66	66	60	55	52	46	43	40	73	73	67	60	57	51	48	44	79	79	72	66	62	55	52	48	86	86	79	71	68	60	56	53	89	88	81	73	69	62	58	54
	100	65	62	57	51	46	41	38	38	74	71	65	59	53	47	43	43	82	78	71	65	58	51	48	48	89	85	78	70	63	56	52	52	-	-	-	-	-	-	-	-
	50	64	59	53	47	39	34	29	27	77	70	63	55	47	40	35	32	84	78	70	61	51	45	39	35	-	-	-	-	-	-	-	-	-	-	-	-	-	-	-	-
160	500	flow rate 60 l/s					flow rate 120 l/s					flow rate 180 l/s					flow rate 240 l/s					flow rate 300 l/s																			
	300	68	67	64	59	55	52	52	51	72	71	68	62	59	54	53	78	77	74	67	63	60	59	58	84	84	80	72	68	65	65	65	89	89	85	77	73	69	69	69	
	200	63	62	59	55	52	49	46	45	67	66	64	58	55	52	49	48	75	75	71	65	61	58	54	54	81	81	78	70	67	63	59	59	87	87	83	76	72	68	64	64
	100	58	56	50	48	42	40	40	40	65	62	56	53	47	44	44	44	73	69	63	59	53	50	50	84	80	77	69	66	58	55	55	-	-	-	-	-	-	-	-	
	50	59	54	50	45	40	35	33	31	70	64	60	53	48	42	39	38	77	73	69	61	54	48	45	44	-	-	-	-	-	-	-	-	-	-	-	-	-	-	-	-
200	500	flow rate 100 l/s					flow rate 200 l/s					flow rate 300 l/s					flow rate 400 l/s					flow rate 450 l/s																			
	300	70	64	61	55	52	52	55	55	75	68	65	59	55	55	59	59	83	76	72	65	61	61	65	65	90	82	78	72	67	66	71	70	93	85	81	73	71	70	74	73
	200	67	62	56	50	48	45	48	48	74	68	62	55	52	51	53	52	84	78	71	64	61	57	60	60	92	84	78	71	67	63	67	66	95	87	81	72	68	66	69	68
	100	62	57	55	47	44	42	42	42	71	65	62	53	50	48	47	47	83	76	71	62	58	55	54	54	90	83	79	69	65	62	61	60	-	-	-	-	-	-	-	-
	50	57	52	48	41	39	36	34	34	69	64	58	50	47	44	42	42	83	76	69	59	56	53	50	50	-	-	-	-	-	-	-	-	-	-	-	-	-	-	-	-
250	500	flow rate 150 l/s					flow rate 300 l/s					flow rate 450 l/s					flow rate 600 l/s					flow rate 750 l/s																			
	300	69	66	59	53	50	54	53	52	71	67	61	56	53	56	55	54	78	75	68	61	58	61	60	59	87	83	76	68	64	68	68	68	94	90	82	74	70	74	74	74
	200	63	61	55	50	47	46	48	47	66	63	57	51	48	47	51	48	75	72	65	59	55	55	59	55	84	80	73	67	65	64	62	61	91	87	80	72	70	69	72	68
	100	59	57	52	46	44	41	44	44	63	60	55	49	46	44	46	72	69	63	57	55	54	54	53	82	79	72	64	63	63	62	61	-	-	-	-	-	-	-	-	
	50	56	52	45	41	38	36	34	31	63	57	51	45	43	40	38	35	75	69	60	56	52	49	45	42	-	-	-	-	-	-	-	-	-	-	-	-	-	-	-	-
315	500	flow rate 250 l/s					flow rate 500 l/s					flow rate 750 l/s					flow rate 1000 l/s					flow rate 1200 l/s																			
	300	68	65	59	53	50	53	50	74	71	65	58	55	55	58	55	82	78	71	64	60	60	64	60	89	85	77	69	68	67	69	65	92	88	80	72	71	70	72	68	
	200	62	59	54	49	46	45	49	43	69	66	60	54	51	51	54	48	78	74	68	61	57	57	61	54	85	81	74	66	64	64	66	59	89	85	78	70	68	68	70	62
	100	60	55	50	45	43	40	43	40	70	64	58	52	49	48	49	46	79	72	66	59	58	57	56	52	86	79	72	65	63	62	64	58	-	-	-	-	-	-	-	-
	50	54	52	45	41	38	36	36	31	66	63	55	50	47	46	44	39	76	72	64	57	54	52	50	44	-	-	-	-	-	-	-	-	-	-	-	-	-	-	-	-
400	500	flow rate 400 l/s					flow rate 800 l/s					flow rate 1200 l/s					flow rate 1600 l/s					flow rate 1800 l/s																			
	300	79	73	67	62	57	60	59	58	82	75	68	65	59	62	61	60	88	81	74	70	62	66	65	64	95	87	79	75	67	71	70	69	98	90	82	78	70	74	73	72
	200	72	66	60	54	51	51	51	51	77	70	64	58	55	55	54	54	84	77	70	63	62	61	60	60	91	83	76	69	67	66	65	64	94	86	79	71	70	69	68	67
	100	67	62	56	50	48	48	48	45	74	68	62	56	53	52	52	49	82	75	68	61	60	59	58	54	89	82	75	69	67	64	63	60	-	-	-	-	-	-	-	-
	50	61	56	49	44	42	39	39	34	72	66	58	53	49	47	46	40	83	76	67	60	58	55	53	47	-	-	-	-	-	-	-	-	-	-	-	-	-	-	-	-
500	500	flow rate 600 l/s					flow rate 1200 l/s					flow rate 1800 l/s					flow rate 2400 l/s					flow rate 3000 l/s																			
	300	84	77	70	64	63	62	61	60	85	78	71	65	64	63	62	61	91	84	76	68	67	68	68	67	96	88	80	72	70	73	72	71	102	94	85	78	75	77	77	76
	200	77	70	64	58	54	54	58	58	80	74	67	60	57	57	60	60	88	80	73	66	62	62	66	66	93	85	78	70	66	66	70	70	99	91	83	74	70	74	74	74
	100	71	65	59	53	50	50	50	47	77	70	64	58	56	55	54	51	85	78	72	65	63	61	60	57	91	84	76	70	68	66	65	61	-	-	-	-	-	-	-	-
	50	63	58	53	47	46	44	42	37	72	66	60	55	53	51	49	43	82	75	70	63	60	57	55	50	-	-	-	-	-	-	-	-	-	-	-	-	-	-	-	-
630	500	flow rate 1000 l/s					flow rate 2000 l/s					flow rate 3000 l/s					flow rate 4000 l/s					flow rate 4500 l/s																			