



**Manufacturer & Stockist
of
Heating, Ventilation &
Air Movement Equipment**

Units 2 & 3
Bull Ring Trading Estate,
Green Street, Digbeth,
Birmingham, B12 0NB.
Tel: 0121 766 8126
Fax: 0121 766 7239
www.ajs-vent.co.uk

NON RETURN / BACK DRAFT DAMPER

PRODUCT RANGE

Model Range Includes

- A - (Flanged - Rectangular Duct)
- B - (Slip joint / Spigot - Rectangular Duct)
- C - (Slip joint / Spigot - Circular Duct)

Material

- Extruded Aluminium Casing.
- Extruded Aluminium Blades.

Certification

- BSRIA Quality approved pressure tested.



Description:

The AJS range of light weight extruded aluminium, multi-leaf non return / back draft dampers are manufactured by us in the UK and have been designed specifically for the need of single directional airflow to be maintained within a ductwork system. Our standard model operates via individual light weight gravity fed / pivoted aluminium blades mounted to an internal (none visible bearing system) allowing a maximum free rotation of 0 - 90°. The range offers both flanged and spigot / slip joint installation connections for square / rectangular, circular / spiral.

AJS are proud to be associated with:



Every effort is made to ensure the information in AJS literature is correct, however no warranty is given in this respect and the company shall not be liable as a result of any inaccuracy. The company has a policy of continuous product development and reserves the right to alter, at any time, specification without prior notice

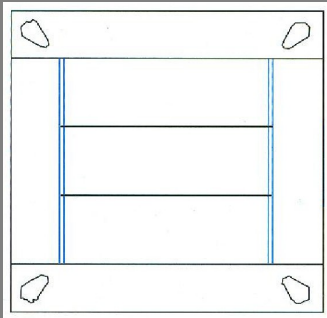


Manufacturer & Stockist
of
Heating, Ventilation &
Air Movement Equipment

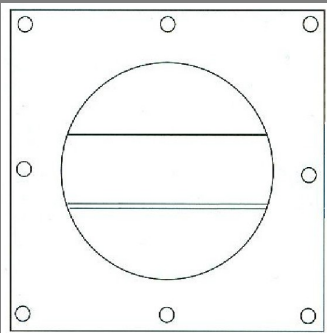
Units 2 & 3
Bull Ring Trading Estate,
Green Street, Digbeth,
Birmingham, B12 0NB.
Tel: 0121 766 8126
Fax: 0121 766 7239
www.ajs-vent.co.uk

NON RETURN / BACK DRAFT DAMPER DIMENSION DETAILS

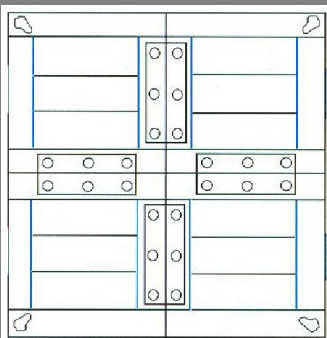
Diagram



Flange Connection
Maximum Single Unit Size 1000mm x 1000mm

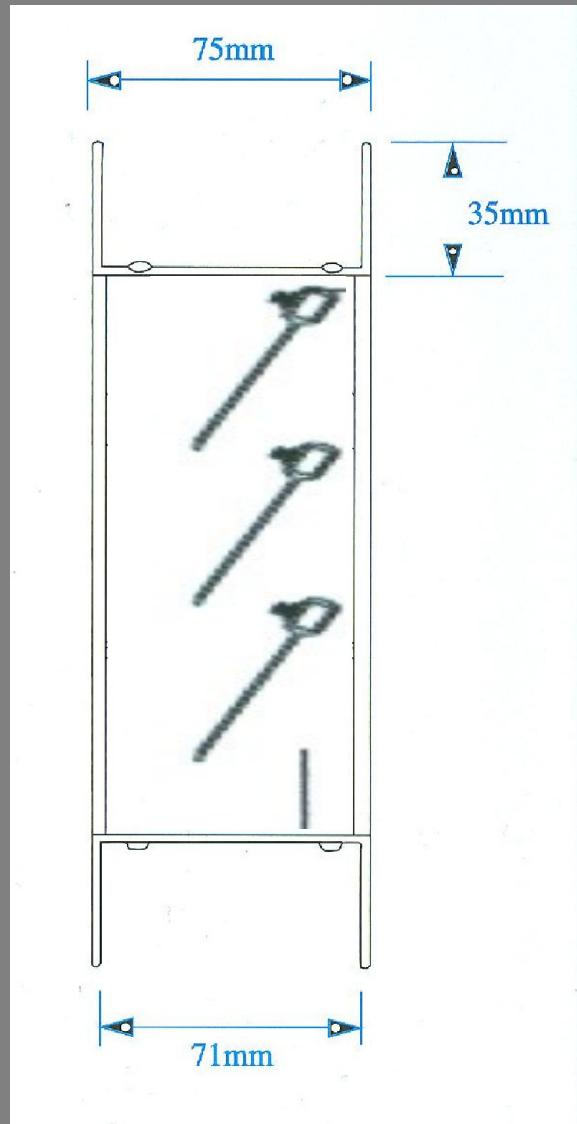


Spigot / Slip Joint Connection
Max Single Unit Size 1000mm Ø



Multi-Assembly Available for duct over
1000mm H, 1000mm W or 1000mm Ø

Typical Damper Dimensions



Materials

Aluminium.

- Min 2mm Blades
- Min 2mm Casing
- 3.2mm Aluminium Rivets

Galvanised Steel

- 0.8mm Blade & Gear Mounting.
- 0.8mm Slip Joint / Spigot.
- 1.2mm Joining Plates (Applies to multi-assembled units only).

Zinc Plated Screws (As Standard)

- Stainless steel available on request.

High Impact Polypropylene.

- Blade & bearing (Assembly)

Emulsion Base Sealant.

- Slip Joint/Spigot Options Only.

1mm Closed Cell Polyethylene.

- Casing End Seals.

AJS are proud to be associated with:



Every effort is made to ensure the information in AJS literature is correct, however no warranty is given in this respect and the company shall not be liable as a result of any inaccuracy. The company has a policy of continuous product development and reserves the right to alter, at any time, specification without prior notice