



Manufacturer & Stockist  
of  
Heating, Ventilation &  
Air Movement Equipment

Units 2 & 3  
Bull Ring Trading Estate,  
Green Street, Digbeth,  
Birmingham, B12 0NB.  
Tel: 0121 766 8126  
Fax: 0121 766 7239  
[www.ajs-vent.co.uk](http://www.ajs-vent.co.uk)

# TYPE E IRIS DAMPER



## Damper Model

- Type E
  - IRIS & IRIS-S Regulating Damper.

## Duct Connection Type

- Circular Slip joint / Spigot.

## Size Options

- To suit 80 - 800mm Ø

## Materials / Construction

- Composed of regulation plates, regulating nut or handle (size 80) and regulation scale plus manometer connection and casing.
- The casing and regulation plates are manufactured from hot-galvanised steel (Standard Model IRIS).
- Alternative acid proof steel AISI 316 L (Model IRIS-S).
- Rubber gasket joining collars.

## Description / Full Features:

The AJS range of IRIS volume control / regulating dampers are designed for balancing airflow through circular ducting systems. The range offers a slip joint installation connection and manual hand controls with visual open/closed indication.

### Usage

- The IRIS is an ideal solution for exact and quick air flow regulating and measuring.
- The ISRI-S is best suited for premises where acid proof ducts are used because of its acid proof material.

### Installation

- The IRIS should be secured to the ducting via rivets.
- For vertical mounting, ensure the weight of the interconnecting ductwork is fully supported.

AJS are proud to be associated with:



Every effort is made to ensure the information in AJS literature is correct, however no warranty is given in this respect and the company shall not be liable as a result of any inaccuracy. The company has a policy of continuous product development and reserves the right to alter, at any time, specification without prior notice

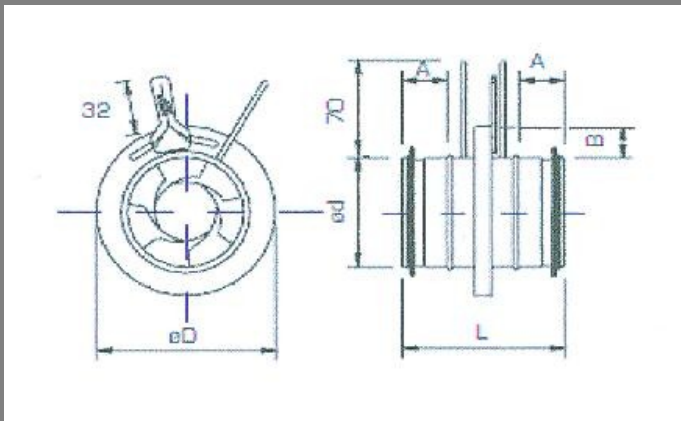


Manufacturer & Stockist  
of  
Heating, Ventilation &  
Air Movement Equipment

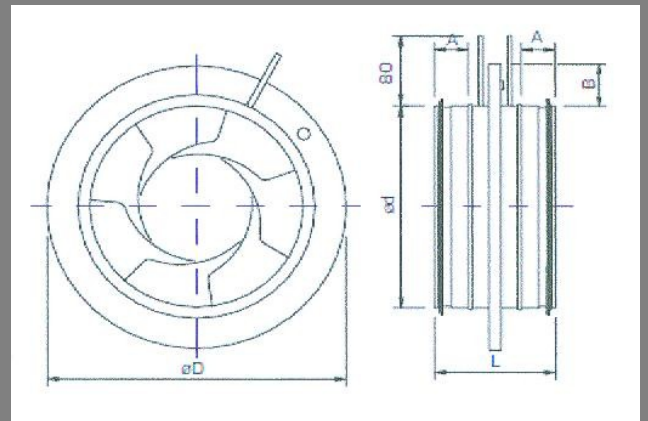
Units 2 & 3  
Bull Ring Trading Estate,  
Green Street, Digbeth,  
Birmingham, B12 0NB.  
Tel: 0121 766 8126  
Fax: 0121 766 7239  
[www.ajs-vent.co.uk](http://www.ajs-vent.co.uk)

# TYPE E IRIS DAMPER

## Dimensional Data:



Size 80mm Ø



Size 100mm - 800mm Ø

Size Ø (mm)	Ød	ØD	A	B	L	WEIGHT (kg)
80	79	125	35	22	120	0.5
100	99	165	30	32	110	0.5
125	124	188	30	32	110	0.7
150	149	230	30	40	110	0.9
160	159	230	30	35	110	0.9
200	199	285	30	42	110	1.4
250	249	335	40	42	132	2.1
315	314	410	40	47	132	3.5
400	398	525	50	62	155	6.4
500	498	655	50	77	170	9.6
630	798628	615	50	92	170	15.6
800	798	1015	100	107	270	25.0

AJS are proud to be associated with:



Every effort is made to ensure the information in AJS literature is correct, however no warranty is given in this respect and the company shall not be liable as a result of any inaccuracy. The company has a policy of continuous product development and reserves the right to alter, at any time, specification without prior notice



Manufacturer & Stockist  
of  
Heating, Ventilation &  
Air Movement Equipment

Units 2 & 3  
Bull Ring Trading Estate,  
Green Street, Digbeth,  
Birmingham, B12 0NB.  
Tel: 0121 766 8126  
Fax: 0121 766 7239  
[www.ajs-vent.co.uk](http://www.ajs-vent.co.uk)

# TYPE E MOTORISED IRIS DAMPER

## Damper Model

### Type E

- **SPI-F-LM230A** Motorised Regulating Damper.

### Duct Connection Type

- Circular Slip joint / Spigot.

### Size Options

- To suit 100 - 315mm Ø

### Design

This air-supply device consists of an SPI iris damper with an actuator for forced air flow. It is manufactured from galvanised sheet steel, equipped with test points for easy setup. Units are fitted with Belimo actuators, type LM24A or LM230A. Versions of the iris damper with a 0-10V modulating control signal are fitted with Belimo actuators type LM24A-SR.

### Protective distance

- Bends - Before 1 x D / After " 1 x D
- T-pipes - Before 3 x D / After " 1 x D
- Supply-air devices - Before 3 x D



## Description / Full Features:

The AJS range of **SPI-F-LM230A IRIS DAMPER** models are fitted with a motor designed for controlling the air flow using two predetermined settings. The minimum and maximum air-flow settings are adjusted with the help of a measuring nipple and are fixed mechanically with damper stops. The SPI-F models have a low sound level and produce a centrally patterned airflow. They are ideal for use as adjustable, motorised dampers.

The SPI-F adjustment damper must be installed in accordance with the distances required to minimise air-flow deviation. Reducing or enlarging the duct to the next duct size does not require any specified distances for minimising deviation. The SPI-F enables the taking of precise airflow measurements at all points including points close to duct deviations such as T junctions and bends and points in front of other supply-air devices.

AJS are proud to be associated with:





Manufacturer & Stockist  
of  
Heating, Ventilation &  
Air Movement Equipment

Units 2 & 3  
Bull Ring Trading Estate,  
Green Street, Digbeth,  
Birmingham, B12 0NB.  
Tel: 0121 766 8126  
Fax: 0121 766 7239  
[www.ajs-vent.co.uk](http://www.ajs-vent.co.uk)

# TYPE E MOTORISED IRIS DAMPER

## Technical Data:

### Mid-frequency Band, Hz

Size Ø (mm)	63	125	250	500	1000	2000	4000
100	11	10	3	-2	-8	-16	-24
125	7	8	2	-4	-11	-19	-27
160	9	6	1	-5	-11	-18	-27
200	9	5	1	-5	-12	-17	-24
250	6	1	-4	-3	-12	-17	-24
315	3	1	-4	-4	-9	-14	-23
Tolerans	±6	±5	±2	±2	±2	±2	±3

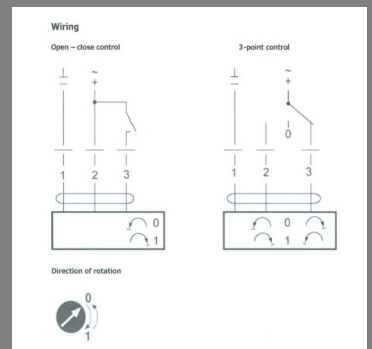
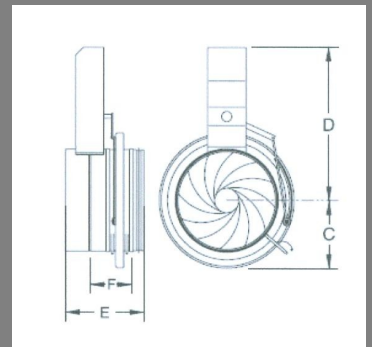
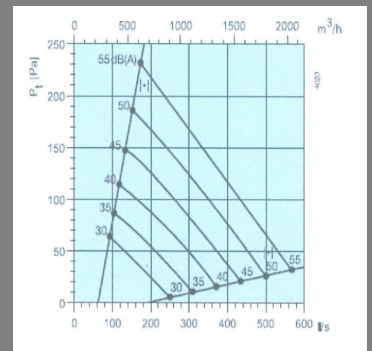
### Dimensions

Size Ø (mm)	C	D	E	F
100	82	215	185	122
125	106	235	195	130
160	116	265	200	135
200	143	285	210	135
250	167	365	210	130
315	203	408	210	130

### Wiring

Cable Colour	No.
Blue	1
Brown	2
White	3

### Diagrams



AJS are proud to be associated with:



Every effort is made to ensure the information in AJS literature is correct, however no warranty is given in this respect and the company shall not be liable as a result of any inaccuracy. The company has a policy of continuous product development and reserves the right to alter, at any time, specification without prior notice